

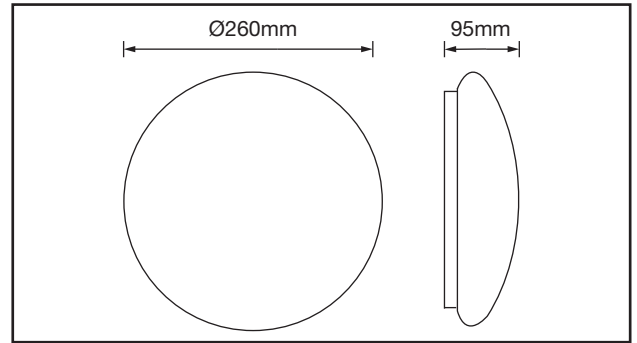
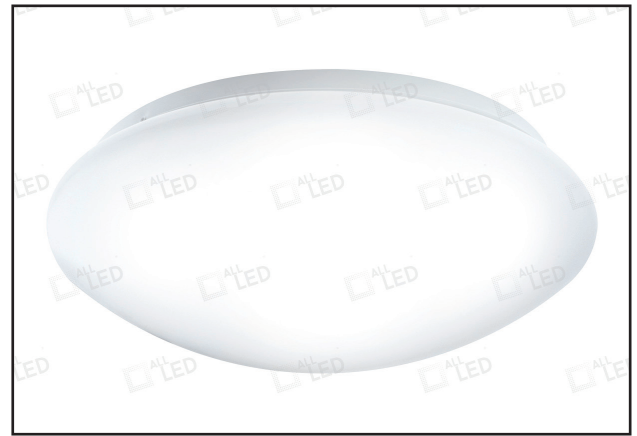
ABH260/CCT

12W IP44 CCT Selectable LED Bulkhead



PRODUCT FEATURES

- CCT Selectable (3000K/4000K/6000K)
- IP44 (Suitable For Bathroom Use)
- Push Terminals With Loop Terminals
- Large Cable Entry
- Wall Or Ceiling Mountable
- Twist And Lock Diffuser
- Microwave Sensor Versions Available: ABH260/CCT/MS



Standard
ABH260/CCT

Microwave Version
ABH260/CCT/MS

TECHNICAL SPECIFICATIONS

PRODUCT CODE	ABH260/CCT	
Luminous Flux	1080lm	1270lm
Useful Luminous Flux	1080lm	1270lm
Colour Temperature	3000K	4000K
Peak Intensity	257cd	310cd
CRI		>80
SDCM		<6
Beam Angle		120°
Operating Voltage		220-240VAC
Operating Current (A max)		0.097A
Max Output Power		12W
Power Factor		0.5
No Load Power		≤0.5W
Efficiency %		94%
Class		I
Body Material		Polymer
Frame Colour		White
Switching Cycles		15,000
Ingress Protection		IP44
Ambient Operating Temperature		-20°C ~ 45°C
Input Frequency		50/60Hz
Guarantee		2 Years
Lifetime (L70 B50)		20,000 Hrs
Survival Factor		0.9
Displacement Factor		≥0.7
Flicker Metric (PstLM)		≤1.0
Stroboscopic Effect Metric (SVM)		≤0.4

